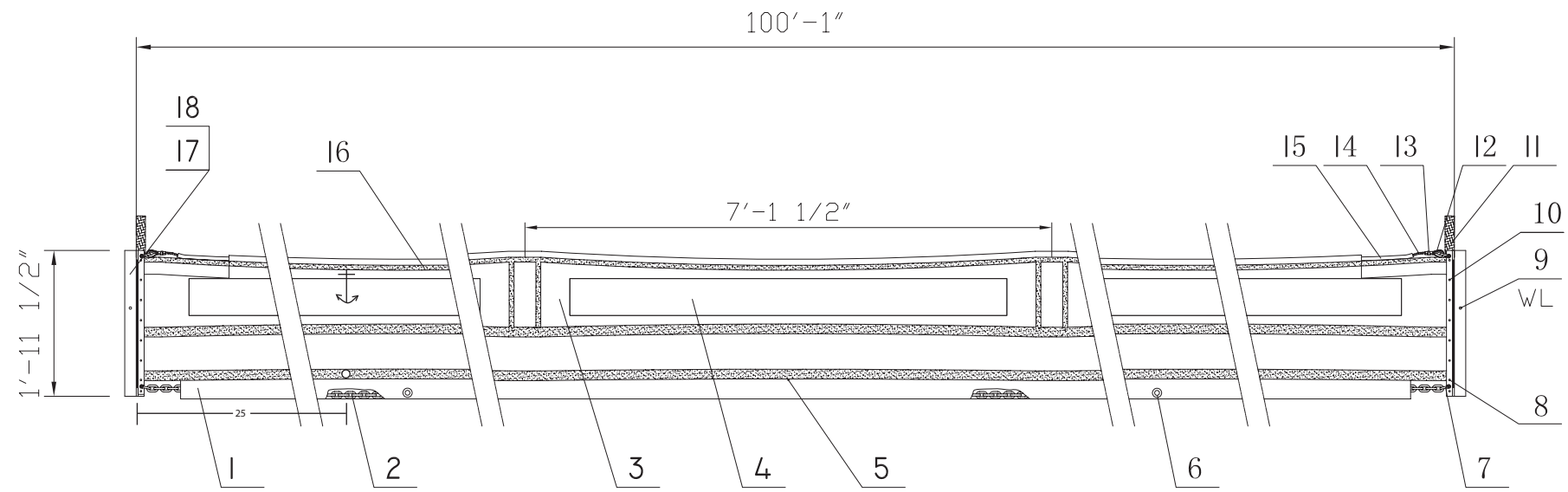


3A100 — STRUCTURAL DRAWING



No	Amount	Name	Specification	Remark	No	Amount	Name	Specification	Remark
1	1	Chain Case		Round head screws / lock master	10	2	Round head screws / lock nut	M15/64"x1 63/128"	
2	1	Chain(ø5/16")	99'-6"		11	2	Drawstring	1'-7 1/2"x1 1/2"	
3	14	Float chamber			12	2	Capel	M15/64"	
4	14	Floater	5'-11"x6"		13	2	Aluminium pipe		
5	12	Vent hole	ø 1/4"		14	1	wire rope ø 5/16	101'-0 1/2"	
6	4	air drain	ø1 61/128"/ 1 63/128"		15	1	Plastic tube ø 5/8"	99'-9"	
7	4	Disarm	M 5/16"		16	1	Rope socket		
8	14	Round head screws / lock net	M15/64"x19/32"		17	2	Aluminum pinch plate	1' 11 1/2"	
9	2	Spring pin			18	2	Aluminum trim strip	1' 11 1/2"	